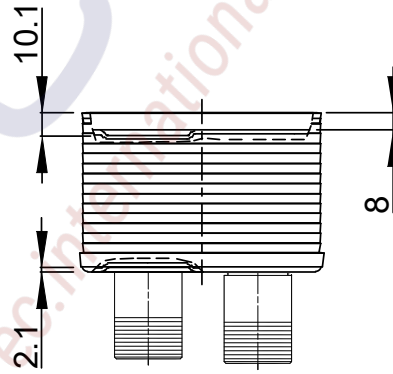
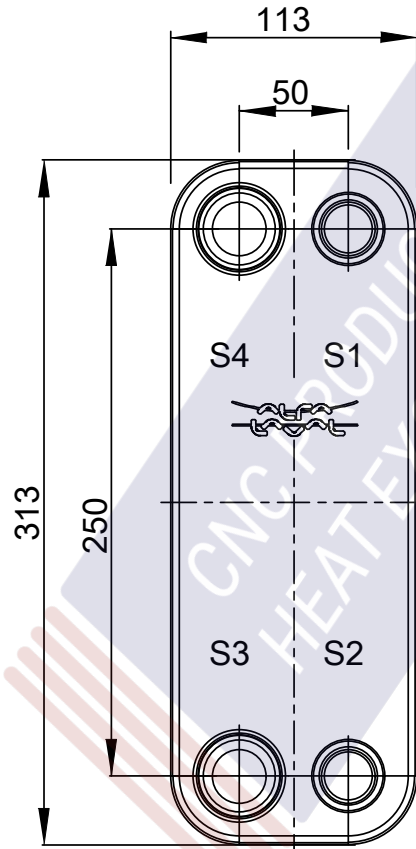
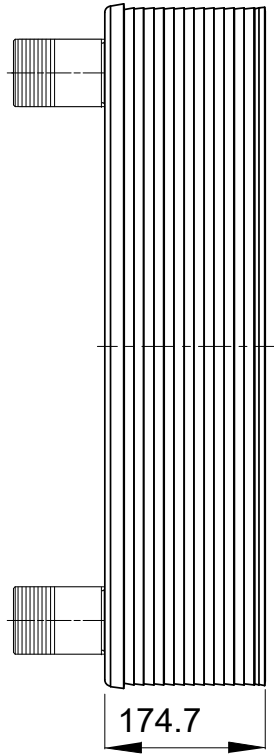
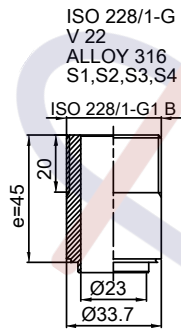


Note that all unique customer requirements (i.e tolerance) need to be verified thru Alfa Laval.



HEATING SURFACE m²
 NETWEIGHT 9.6 kg
 OPERATING WEIGHT kg
 PLATE MATERIAL ALLOY 316
 PLATE GROUPING 1*34H/1*35H

T1 T2 T3 T4 locations on back side correspond to S1 S2 S3 S4 on front side

ALL DIMENSIONS IN MILLIMETERS

SIDE	MEDIA	INLET	TEMP. °C	OUTLET	TEMP. °C	FLOW RATE	PRESSURE DROP	LIQUID VOL.
1	Water	S1	°C	S2	°C	kg/h	kPa	1.9 dm ³
2	Water	S3	°C	S4	°C	kg/h	kPa	1.8 dm ³

PRESSURE VESSEL APPROVAL

PED

CB30-70H (3287085381)

www.alfalaval.com

CUSTOMER NAME / REF. NO.

COMPANY / REF.

Aptec production s.r.o.

Aptec production s.r.o. 64010

TOTAL LENGTH

220 mm

TOTAL WIDTH

113 mm

TOTAL HEIGHT

313 mm



12/22/2021

REV 0