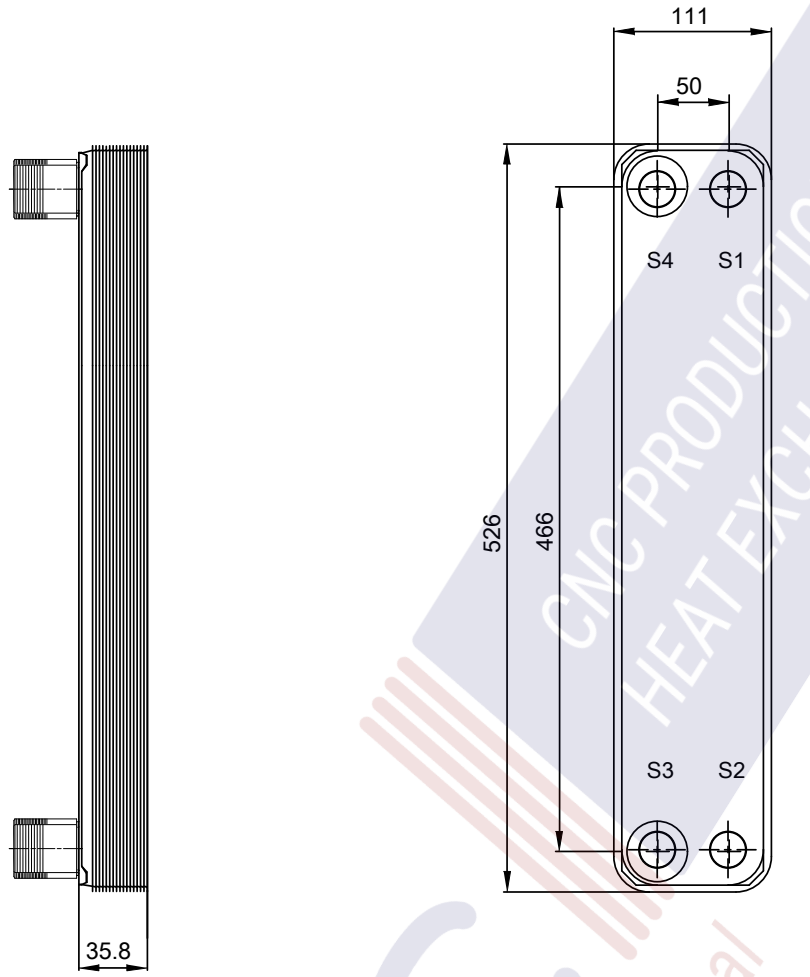
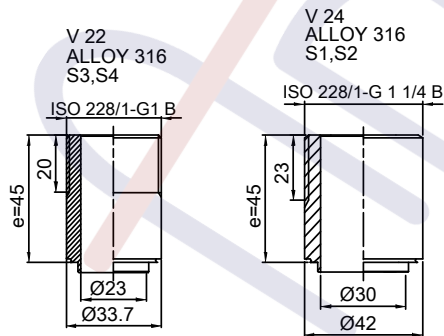


Note that all unique customer requirements (i.e tolerance) need to be verified thru Alfa Laval.



Frameplate is depressed 2 mm at connection S3/S4
 Pressureplate is depressed 2 mm / even number of channel plates
 at connections T3/T4 / uneven number of channel plates at
 connections T1/T2.

HEATING SURFACE m²
 NETWEIGHT 4.8 kg
 OPERATING WEIGHT kg
 PLATE MATERIAL ALLOY 316
 PLATE GROUPING 1*4H/1*5H

T1 T2 T3 T4 locations on back side
 correspond to S1 S2 S3 S4 on front side

ALL DIMENSIONS IN MILLIMETERS

SIDE	MEDIA	INLET	TEMP. °C	OUTLET	TEMP. °C	FLOW RATE	PRESSURE DROP	LIQUID VOL.
1	Water	S1	°C	S2	°C	kg/h	kPa	0.5 dm ³
2	Water	S3	°C	S4	°C	kg/h	kPa	0.4 dm ³

PRESSURE VESSEL APPROVAL PED



AlfaNova 52-10H (3288001442)

www.alfalaval.com

CUSTOMER NAME / REF. NO. COMPANY / REF. Aptec production s.r.o.	TOTAL LENGTH 81 mm TOTAL WIDTH 111 mm TOTAL HEIGHT 526 mm	7/8/2020 REV 0