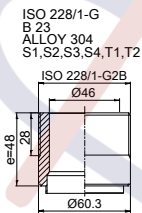
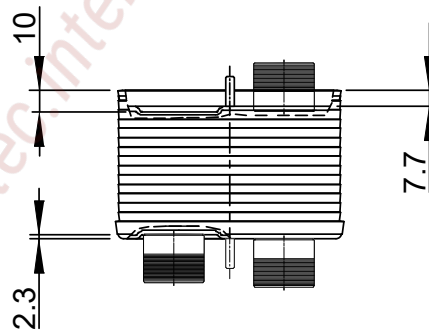
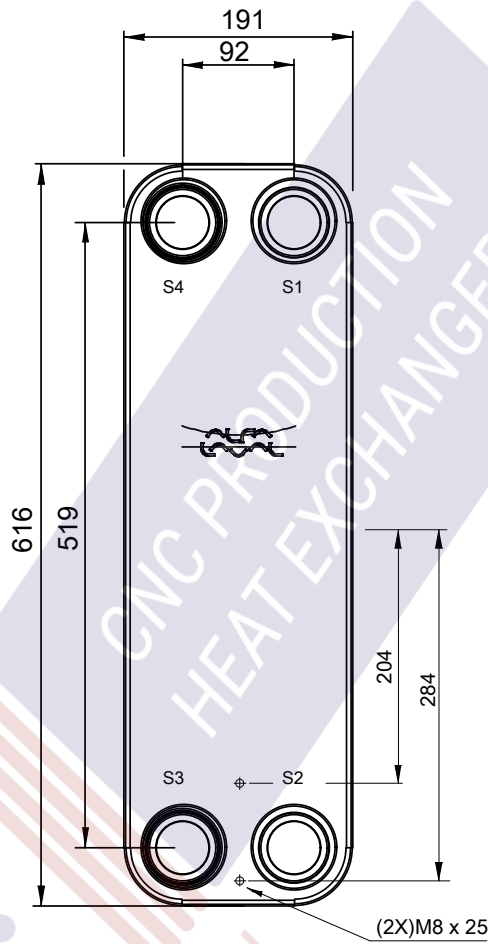
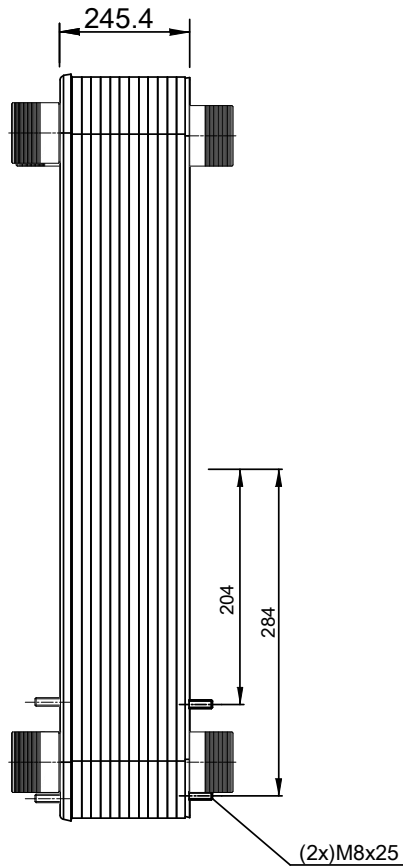


Note that all unique customer requirements (i.e tolerance) need to be verified thru Alfa Laval.



ISO 228/1-G
B 23
ALLOY 304
S1,S2,S3,S4,T1,T2

ISO 228/1-G2B
Ø46
Ø60.3

HEATING SURFACE m²
NETWEIGHT 38.8 kg
OPERATING WEIGHT kg
PLATE MATERIAL ALLOY 316
PLATE GROUPING 1*44H/1*45H

ALL DIMENSIONS IN MILLIMETERS

SIDE	MEDIA	INLET	TEMP. °C	OUTLET	TEMP. °C	FLOW RATE	PRESSURE DROP	LIQUID VOL.
1	Water	S1	°C	S2	°C	kg/h	kPa	9.5 dm ³
2	Water	S3	°C	S4	°C	kg/h	kPa	9.2 dm ³

PRESSURE VESSEL APPROVAL

PED

CB110-90H-F (3287184136)

www.alfalaval.com

CUSTOMER NAME / REF. NO.

TOTAL LENGTH 331 mm
TOTAL WIDTH 191 mm
TOTAL HEIGHT 616 mm

COMPANY / REF.

Aptec production s.r.o.
Aptec production s.r.o. 165002



11/20/2023
REV 0